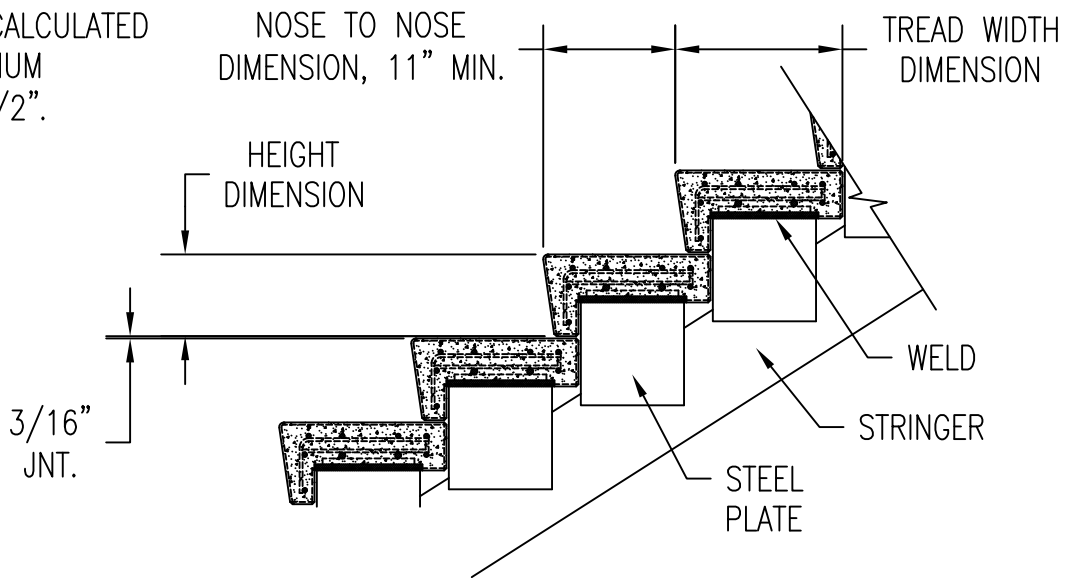


**1 TREAD & RISER CROSS SECTION**  
Scale: 1/4" = 1"

PARAMETERS

THICKNESS SHALL BE CALCULATED BY AN ENGINEER, MINIMUM THICKNESS TO BE 3 1/2".

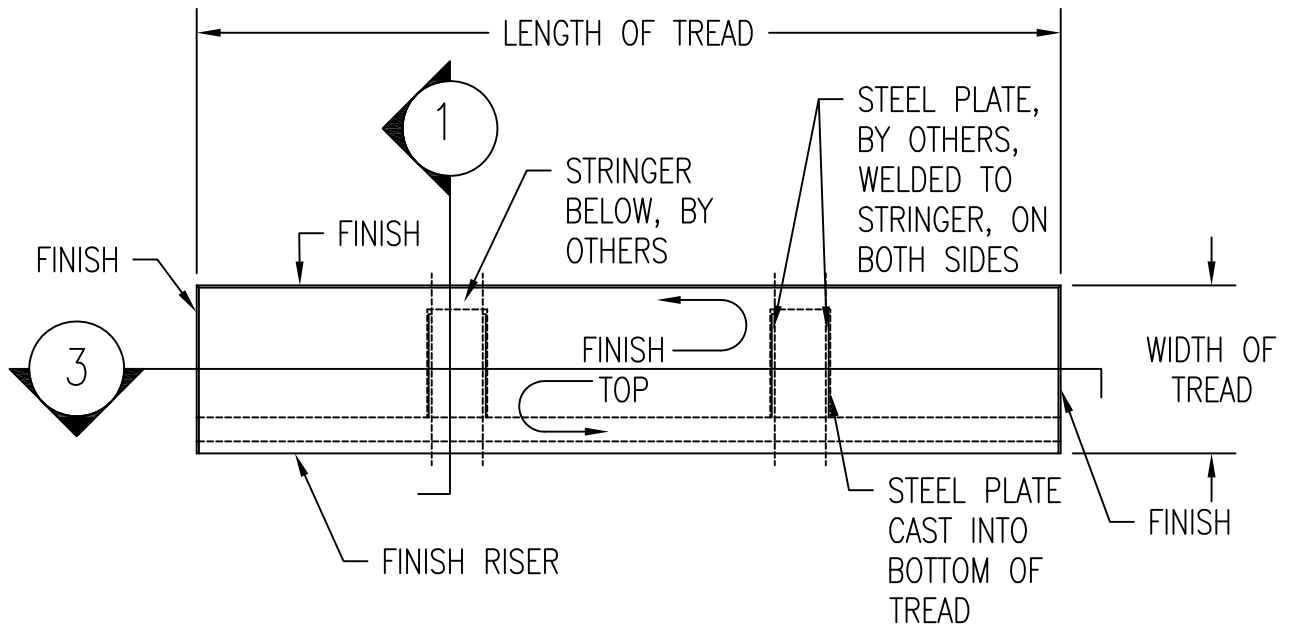


**2 PARTIAL STAIR CROSS SECTION**  
Scale: 1/16" = 1"

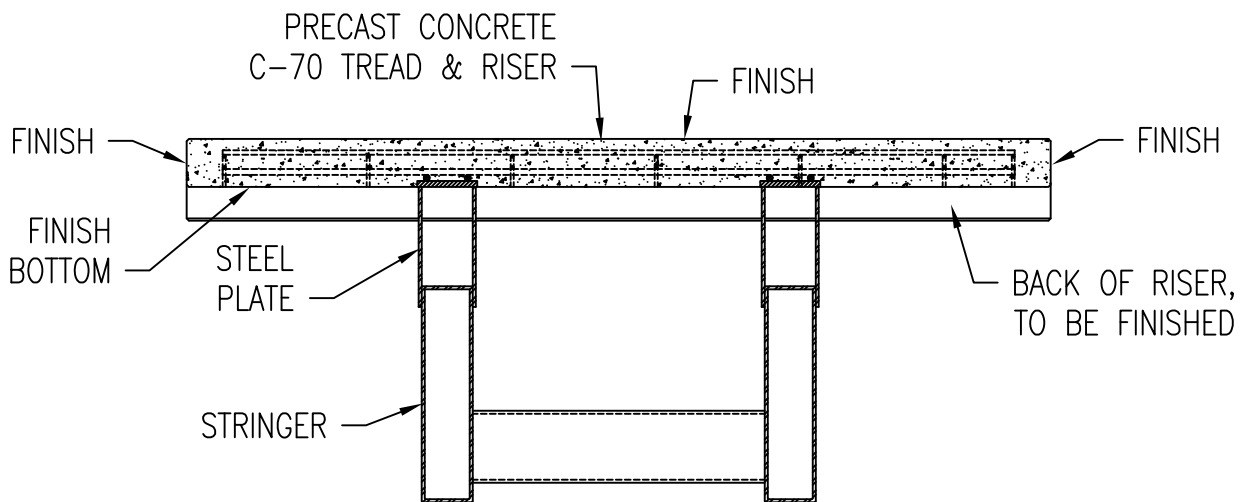
**WAUSAU TILE SITE FURNISHINGS**

P.O. BOX 1520 WAUSAU, WISCONSIN 54402-1520 800/388-8728  
P.O. BOX 967 BANNING, CALIFORNIA 92220 877/849-5695

REVISIONS			DRAWN BY PAW	JOB C-70, SELF SUPPORTING TREAD & RISERS, DUAL SUPPORTED	MATERIAL PRECAST CONCRETE	
NO.	DATE	BY	TITLE C-70, SELF SUPPORTING TREAD & RISERS, DUAL SUPPORTED	JOB NO.	WEIGHT	
1				UNLESS OTHERWISE SPECIFIED DIMENSIONS ARE IN INCHES TOLERANCES: ±1/8"	DATE 12/17/10	FINISH OPTIONS
2					DWG. NO. PC-8	1 OF 2
3			SCALE AS NOTED			



**3** TOP VIEW OF TREAD & RISER  
Scale: 1/16" = 1"



**4** CROSS SECTION OF TREAD & RISER  
Scale: 1/16" = 1"

# WAUSAU TILE SITE FURNISHINGS

P.O. BOX 1520 WAUSAU, WISCONSIN 54402-1520 800/388-8728  
P.O. BOX 967 BANNING, CALIFORNIA 92220 877/849-5695

REVISIONS			DRAWN BY	JOB	MATERIAL
			PAW	C-70, SELF SUPPORTING TREAD & RISERS, DUAL SUPPORTED	PRECAST CONCRETE
NO.	DATE	BY	TITLE	JOB NO.	WEIGHT
1			C-70, SELF SUPPORTING TREAD & RISERS, DUAL SUPPORTED		
2				UNLESS OTHERWISE SPECIFIED DIMENSIONS ARE IN INCHES TOLERANCES: ±1/8"	FINISH OPTIONS
3			SCALE AS NOTED	DATE 12/17/10	DWG. NO. PC-8 2 OF 2