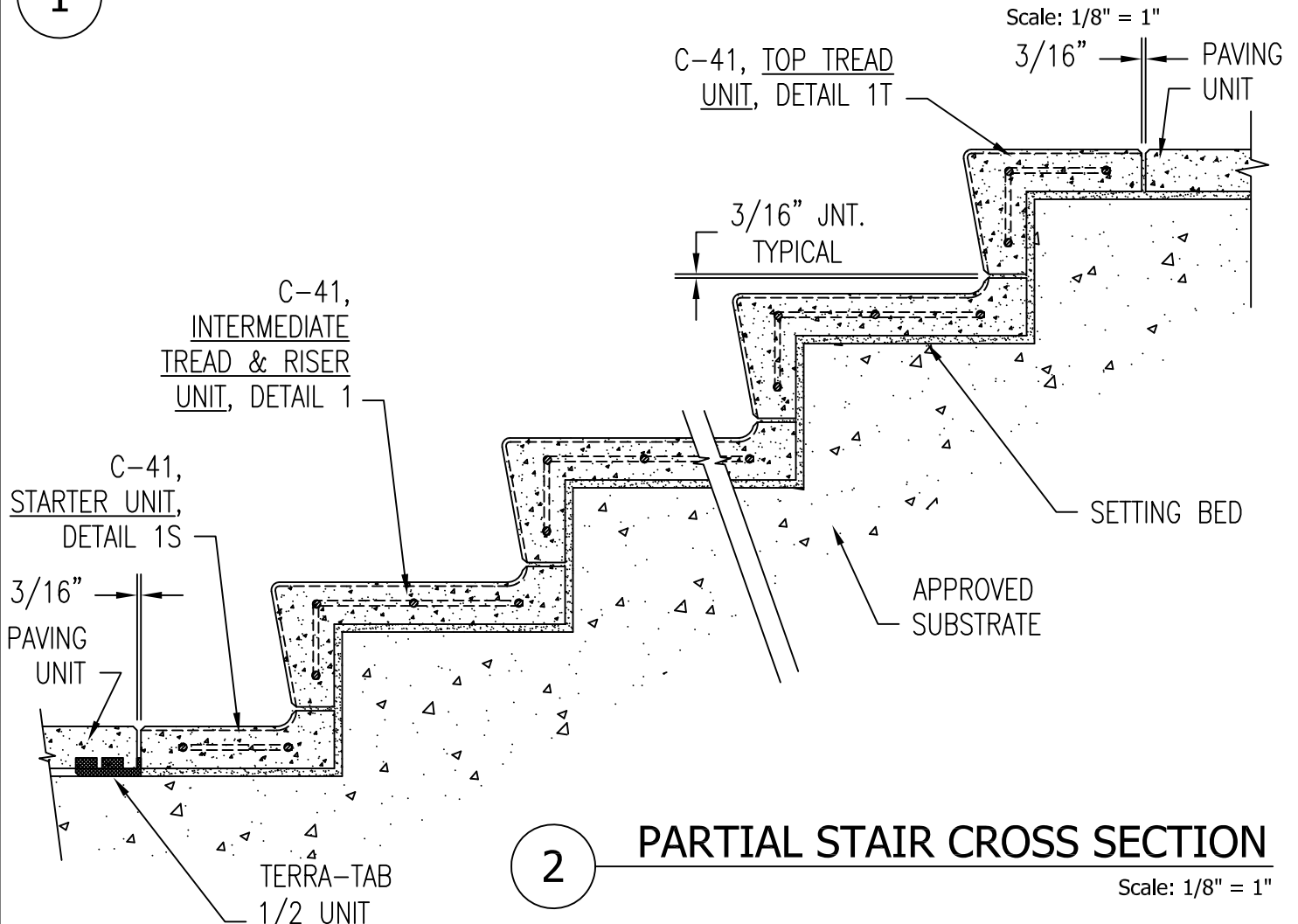


1

**CROSS SECTION OF INTERMEDIATE TREAD & RISER**



2

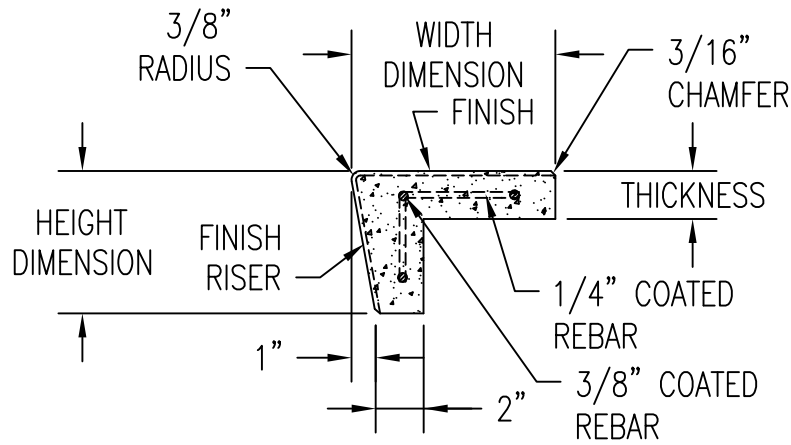
**PARTIAL STAIR CROSS SECTION**

Scale: 1/8" = 1"

**WAUSAU TILE SITE FURNISHINGS**

P.O. BOX 1520 WAUSAU, WISCONSIN 54402-1520 800/388-8728  
P.O. BOX 967 BANNING, CALIFORNIA 92220 877/849-5695

REVISIONS			DRAWN BY PAW	JOB C-41 TREAD & RISER WITH SETTING BED	MATERIAL PRECAST CONCRETE	
NO.	DATE	BY	TITLE C-41 TREAD & RISERS	JOB NO.	WEIGHT	
1			SCALE AS NOTED	UNLESS OTHERWISE SPECIFIED DIMENSIONS ARE IN INCHES TOLERANCES: ±1/8"	FINISH OPTIONS	
2					DATE 12/17/10	DWG. NO. PC-6
3						1 OF 2



**PARAMETERS:**

3'-0" TO 4'-0" LENGTH -  
1 3/4" MIN. THICKNESS

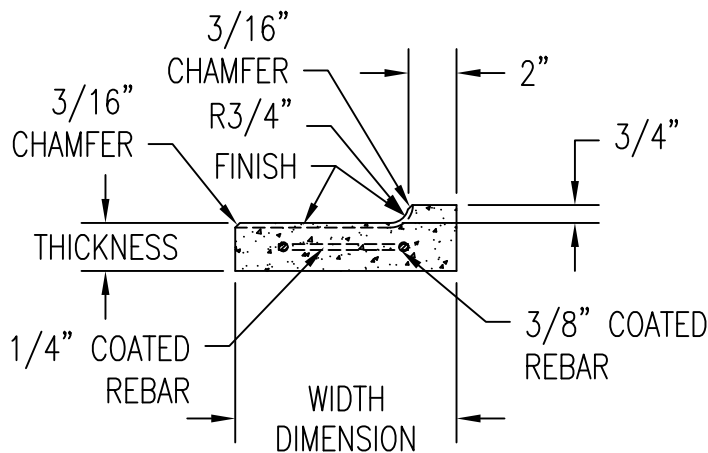
4'-0" TO 6'-0" LENGTH -  
2" MIN. THICKNESS

6'-0" TO 8'-0" LENGTH -  
2 1/4" MIN. THICKNESS

1T

**CROSS SECTION OF TOP TREAD & RISER**

Scale: 1/8" = 1"



1S

**CROSS SECTION OF STARTER PIECE**

Scale: 1/8" = 1"

**WAUSAU TILE SITE FURNISHINGS**

P.O. BOX 1520 WAUSAU, WISCONSIN 54402-1520 800/388-8728  
P.O. BOX 967 BANNING, CALIFORNIA 92220 877/849-5695

REVISIONS			DRAWN BY PAW	JOB C-41 TREAD & RISER WITH SETTING BED	MATERIAL PRECAST CONCRETE	
NO.	DATE	BY	TITLE C-41 TREAD & RISERS	JOB NO.	WEIGHT	
1			SCALE AS NOTED	UNLESS OTHERWISE SPECIFIED DIMENSIONS ARE IN INCHES TOLERANCES: ±1/8"	FINISH OPTIONS	
2					DATE 12/17/10	DWG. NO. PC-6
3						2 OF 2