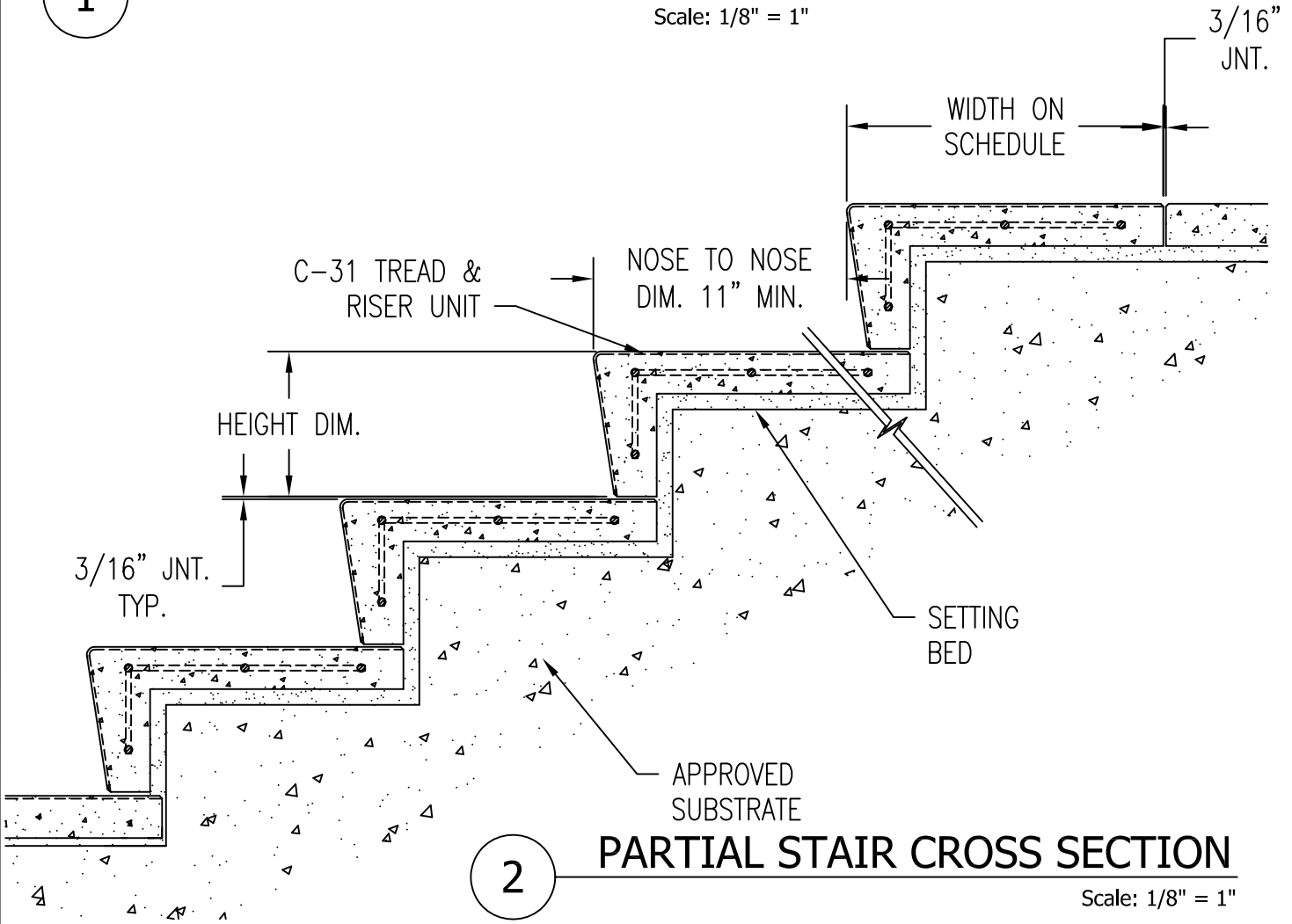


PARAMETERS:
 3'-0" TO 4'-0" LENGTH -
 1 3/4" MIN. THICKNESS

 4'-0" TO 6'-0" LENGTH -
 2" MIN. THICKNESS

 6'-0" TO 8'-0" LENGTH -
 2 1/4" MIN. THICKNESS

1 TREAD & RISER CROSS SECTION
 Scale: 1/8" = 1"



2 PARTIAL STAIR CROSS SECTION
 Scale: 1/8" = 1"

WAUSAU TILE SITE FURNISHINGS P.O. BOX 1520 WAUSAU, WISCONSIN 54402-1520 800/388-8728
 P.O. BOX 967 BANNING, CALIFORNIA 92220 877/849-5695

REVISIONS			DRAWN BY PAW	JOB C-31 TREAD & RISER WITH SETTING BED	MATERIAL PRECAST CONCRETE
NO.	DATE	BY	TITLE C-31 TREAD & RISERS	JOB NO.	WEIGHT
1			SCALE AS NOTED	UNLESS OTHERWISE SPECIFIED DIMENSIONS ARE IN INCHES TOLERANCES: ±1/8"	FINISH OPTIONS
2					DATE 12/17/10
3					