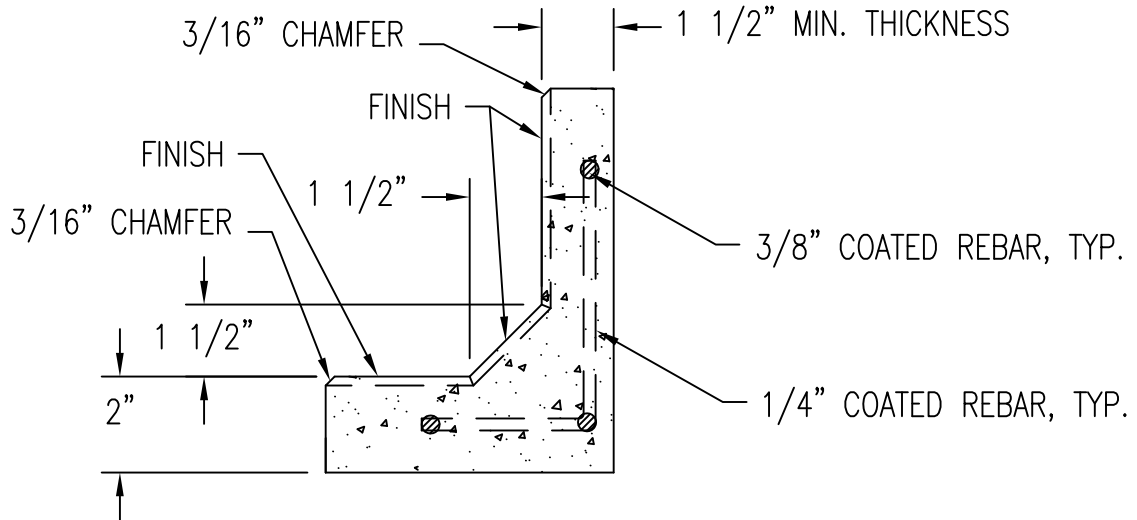


1 CROSS SECTION OF CHAMFERED COVERED BASE Scale: 1/8" = 1"



2 ENLARGED CROSS SECTION OF CHAMFERED COVERED BASE Scale: 1/4" = 1"

WAUSAU TILE SITE FURNISHINGS

P.O. BOX 1520 WAUSAU, WISCONSIN 54402-1520 800/388-8728
 P.O. BOX 967 BANNING, CALIFORNIA 92220 877/849-5695

REVISIONS			DRAWN BY PAW	JOB CHAMFER COVE BASE	MATERIAL PRECAST CONCRETE
NO.	DATE	BY	TITLE CHAMFER COVE BASE	JOB NO.	WEIGHT
1			SCALE AS NOTED	UNLESS OTHERWISE SPECIFIED DIMENSIONS ARE IN INCHES TOLERANCES: ±1/8"	DATE 12/17/10
2					FINISH OPTIONS
3					DWG. NO. PC-14A