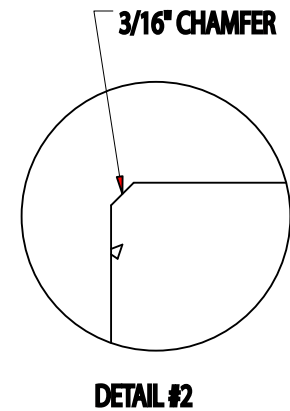
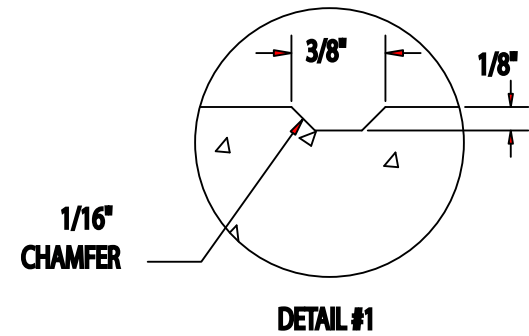


(11) 3/8" WIDE X
1/8" DEEP GROOVES
1 7/8" APART



| REVISIONS | | |
|-----------|------|----|
| NO. | DATE | BY |
| 1 | | |
| 2 | | |
| 3 | | |
| 4 | | |

WAUSAU TILE
P.O. BOX 1520 WAUSAU, WI 54401 715/359-3121

PRECAST PRODUCTS

| | | |
|---------------|----------------|------------------------------|
| DRAWING TITLE | | TACTILE PAVER |
| | | 2 1/4" X 23 13/16" SQ. PAVER |
| DRAWN BY: | TAS | JOB #: |
| DATE: | MARCH 27, 2003 | CHKD: |
| SCALE: | AS NOTED | SHEET #: 1 OF 1 |